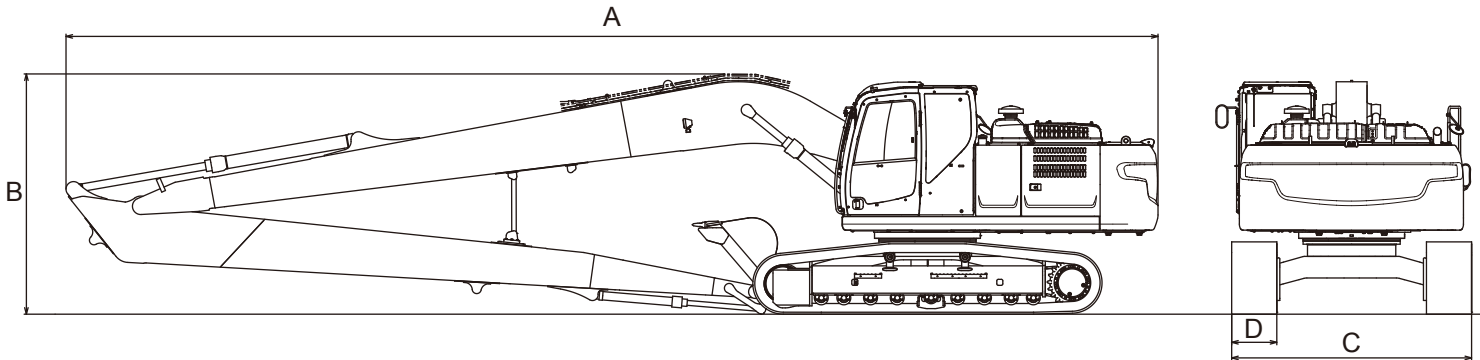


### ■ Main Specifications

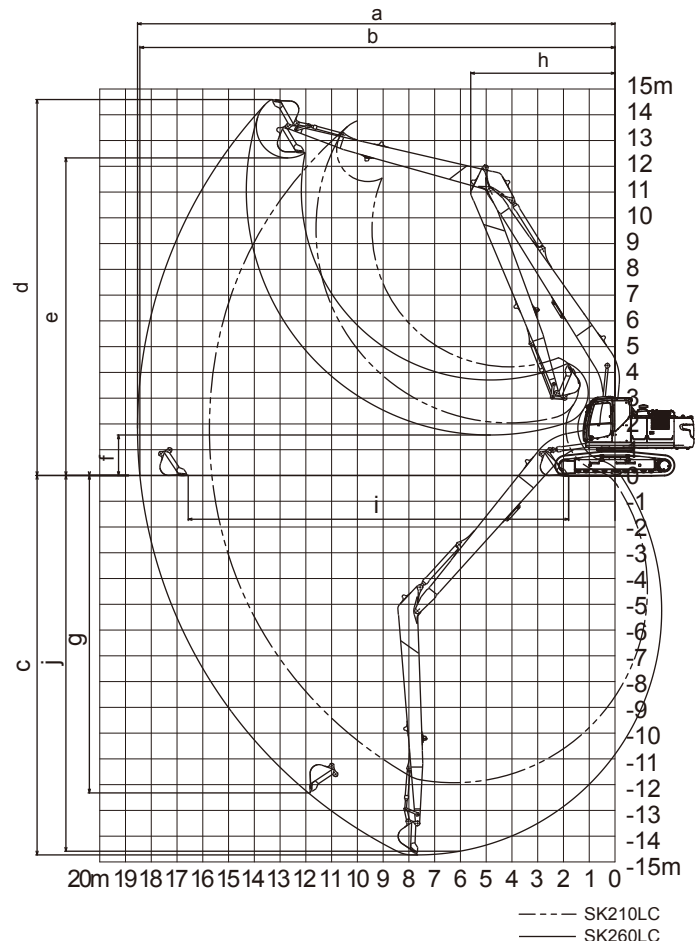


Model		SK210LC	SK260LC
Long reach attachment		50ft	60ft
Engine		HINO J05E-UM-KSSC	HINO J05E-UN-KSSD
Rated power output(ISO 14396 : Without fan)	kW/min <sup>-1</sup>	124/2,000	138/2,100
Swing speed	min <sup>-1</sup>	12.5	10.2
Operating weight	kg	23,100	27,800
Ground pressure	kPa	48	55
A. Overall length	mm	12,690	14,520
B. Overall height	mm	3,160	3,190
C. Overall width	mm	2,990	3,190
D. Shoe width	mm	600	600

### ■ Working Ranges

Unit: mm

	SK210LC	SK260LC
Boom	8.75m	10.35m
Range / Arm	6.35m	8.25m
a- Max. digging reach	15,820	18,530
b- Max. digging reach at ground level	15,710	18,440
c - Max. digging depth	12,010	14,730
d- Max. digging height	13,900	14,590
e- Max. dumping clearance	11,530	12,320
f - Min. dumping clearance	2,080	1,570
g- Max. vertical wall digging depth	11,170	12,320
h- Min. swing radius	4,720	5,600
i - Horizontal digging stroke at ground level	11,610	14,770
j - Digging depth for 2.4 m (8') flat bottom	11,910	14,580
Bucket capacity ISO heaped m <sup>3</sup>	0.45	0.40



# LONG REACH ATTACHMENT

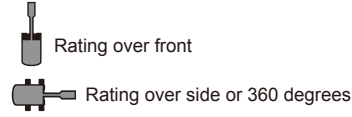
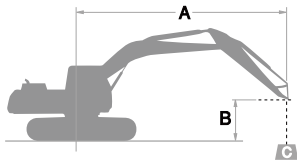
## SK210<sup>LC</sup>

SK210LC-10

## SK260<sup>LC</sup>

SK260LC-10

### Lifting Capacities



A – Reach from swing centerline to arm top  
 B – Arm top height above/below ground  
 C – Lifting capacities in kilograms  
 Bucket : Without bucket

SK210LC		Boom; 8.75m, Arm; 6.35m, Bucket; without, Shoe; 600mm																						
B \ A	1.5m		3.0m		4.5m		6.0m		7.5m		9.0m		10.5m		12m		13.5m		At Max. Reach					
	Rating over front	Rating over side or 360 degrees	Rating over front	Rating over side or 360 degrees	Rating over front	Rating over side or 360 degrees	Rating over front	Rating over side or 360 degrees	Rating over front	Rating over side or 360 degrees	Rating over front	Rating over side or 360 degrees	Rating over front	Rating over side or 360 degrees	Rating over front	Rating over side or 360 degrees	Rating over front	Rating over side or 360 degrees	Rating over front	Rating over side or 360 degrees	Radius			
12.0m kg																					* 1,080	* 1,080	10.44m	
10.5m kg																						* 1,000	* 1,000	11.72m
9.0m kg																						* 950	* 950	12.70m
7.5m kg																						* 930	* 930	13.44m
6.0m kg																						* 930	* 930	13.98m
4.5m kg																						* 940	* 940	14.35m
3.0m kg			* 5,190	* 5,190	* 6,520	* 6,520	* 4,810	* 4,810	* 3,890	* 3,890	* 3,330	3,050	* 2,950	2,380	* 2,680	1,880	* 2,190	1,500	1,500	* 970	* 970	14.54m		
1.5m kg					* 7,340	7,280	* 5,610	* 5,610	* 4,090	4,090	5,070	3,030	* 3,640	2,830	* 3,160	2,230	* 2,810	1,780	2,350	1,440	* 1,020	* 1,020	14.58m	
GL kg			* 2,060	* 2,060	* 4,980	* 4,980	* 6,190	4,520	* 4,780	3,380	* 3,910	2,630	* 3,340	2,090	2,760	1,690	2,300	1,380	* 1,090	* 1,090			14.47m	
-1.5m kg	* 2,040	* 2,040	* 2,810	* 2,810	* 4,960	* 4,960	* 6,520	4,230	* 5,050	3,160	4,040	2,470	3,250	1,990	2,680	1,620	2,250	1,340	* 1,180	* 1,180			14.19m	
-3.0m kg	* 2,940	* 2,940	* 3,720	* 3,720	* 5,610	* 5,610	* 6,610	4,090	4,090	5,070	3,030	3,930	2,370	3,170	1,910	2,630	1,570	* 1,860	1,320	* 1,320	1,290		13.75m	
-4.5m kg	* 3,880	* 3,880	* 4,740	* 4,740	* 6,630	6,140	* 6,480	4,040	5,010	2,970	3,880	2,320	3,140	1,880	2,620	1,560				* 1,510	1,380		13.11m	
-6.0m kg	* 4,890	* 4,890	* 5,910	* 5,910	* 7,960	6,250	* 6,120	4,080	* 4,890	2,980	3,880	2,320	3,150	1,890	* 2,580	1,590				* 1,800	1,550		12.26m	
-7.5m kg	* 6,030	* 6,030	* 7,300	* 7,300	* 7,040	6,440	* 5,510	4,190	* 4,440	3,050	* 3,620	2,380	* 2,900	1,950						* 2,290	1,820		11.15m	
-9.0m kg			* 7,450	* 7,450	* 5,700	* 5,700	* 4,550	4,380	* 3,660	3,200	* 2,860	2,520								* 2,470	2,310		9.67m	
-10.5m kg					* 3,700	* 3,700	* 2,980	* 2,980	* 2,190	* 2,190										* 2,110	* 2,110		7.62m	

SK260LC		Boom; 10.35m, Arm; 8.25m, Bucket; without, Shoe; 600mm																								
B \ A	1.5m		3.0m		4.5m		6.0m		7.5m		9.0m		10.5m		12m		13.5m		15.0m		16.5m		At Max. Reach			
	Rating over front	Rating over side or 360 degrees	Rating over front	Rating over side or 360 degrees	Rating over front	Rating over side or 360 degrees	Rating over front	Rating over side or 360 degrees	Rating over front	Rating over side or 360 degrees	Rating over front	Rating over side or 360 degrees	Rating over front	Rating over side or 360 degrees	Rating over front	Rating over side or 360 degrees	Rating over front	Rating over side or 360 degrees	Rating over front	Rating over side or 360 degrees	Rating over front	Rating over side or 360 degrees	Rating over front	Rating over side or 360 degrees	Radius	
13.5m kg																								* 980	* 980	12.76m
12.0m kg																								* 940	* 940	13.99m
10.5m kg																								* 910	* 910	14.97m
9.0m kg																								* 900	* 900	15.75m
7.5m kg																								* 910	* 910	16.35m
6.0m kg																								* 930	* 930	16.80m
4.5m kg																								* 960	* 960	17.10m
3.0m kg			* 9,220	* 9,220					* 3,350	* 3,350	* 2,850	* 2,850	* 2,520	* 2,520	* 2,280	* 2,280	* 2,110	2,050	* 1,980	1,670	* 1,630	1,350	* 1,000	* 1,000	17.26m	
1.5m kg			* 2,630	* 2,630	* 7,310	* 7,310	* 5,080	* 5,080	3,930	3,930	* 3,240	* 3,240	* 2,800	* 2,800	2,480	2,370	* 2,260	1,930	2,090	1,580	* 1,770	1,290	* 1,060	* 1,060	17.30m	
GL kg			* 2,400	* 2,400	* 5,030	* 5,030	* 5,860	5,730	* 4,450	4,310	* 3,610	3,370	* 3,060	2,700	* 2,680	2,200	* 2,400	1,810	* 2,200	1,490	* 1,840	1,240	* 1,140	1,130	17.20m	
-1.5m kg	* 2,140	* 2,140	* 2,830	* 2,830	* 4,600	* 4,600	* 6,420	5,210	* 4,880	3,930	3,930	3,100	* 3,300	2,510	* 2,860	2,060	* 2,540	1,700	* 2,290	1,420	* 1,780	1,190	* 1,240	1,120	16.97m	
-3.0m kg	* 2,780	* 2,780	* 3,410	* 3,410	* 4,850	* 4,850	* 6,760	4,920	5,180	3,680	* 4,170	2,900	* 3,490	2,350	3,000	1,940	* 2,650	1,620	2,300	1,360	* 1,510	1,150	* 1,370	1,140	16.60m	
-4.5m kg	* 3,440	* 3,440	* 4,070	* 4,070	* 5,390	* 5,390	* 6,920	4,780	* 5,360	3,540	* 4,330	2,770	* 3,620	2,250	3,100	1,860	2,630	1,560	2,260	1,320			* 1,540	1,180	16.08m	
-6.0m kg	* 4,110	* 4,110	* 4,800	* 4,800	* 6,100	* 6,100	* 6,920	4,750	* 5,420	3,470	* 4,410	2,710	3,670	2,190	3,060	1,820	2,600	1,530	2,250	1,310			* 1,790	1,260	15.40m	
-7.5m kg	* 4,820	* 4,820	* 5,590	* 5,590	* 6,960	* 6,960	* 6,770	4,800	5,360	3,480	* 4,390	2,700	3,660	2,180	3,050	1,810	2,610	1,540					* 2,150	1,390	14.53m	
-9.0m kg	* 5,580	* 5,580	* 6,470	* 6,470	* 7,990	7,670	* 6,460	4,920	* 5,160	3,560	* 4,250	2,750	* 3,570	2,220	* 3,030	1,850							* 2,580	1,600	13.44m	
-10.5m kg	* 6,390	* 6,390	* 7,440	* 7,440	* 7,690	* 7,690	* 5,950	5,120	* 4,800	3,690	* 3,960	2,850	* 3,310	2,310	* 2,750	1,950							* 2,720	1,940	12.06m	
-12.0m kg			* 8,530	* 8,530	* 6,580	* 6,580	* 5,160	* 5,160	* 4,190	3,900	* 3,440	3,030											* 2,870	2,550	10.28m	

Notes:

- Do not attempt to lift or hold any load that is greater than these lift capacities at their specified lift point radius and heights. Weight of all accessories must be deducted from the above lift capacities.
- Lift capacities are based on machine standing on level, firm, and uniform ground. User must make allowance for job conditions such as soft or uneven ground, out of level conditions, side loads, sudden stopping of loads, hazardous conditions, experience of personnel, etc.
- Arm top defined as lift point.
- The above lifting capacities are in compliance with SAE J/ISO 10567. They do not exceed 87 % of hydraulic lifting capacity or 75 % of tipping load. Lifting capacities marked with an asterisk (\*) are limited by hydraulic capacity rather than tipping load.
- Operator should be fully acquainted with the Operator's and Maintenance Instructions before operating this machine. Rules for safe operation of equipment should be adhered to at all times.
- Lift capacities apply to only machines as originally manufactured and normally equipped by KOBELCO CONSTRUCTION MACHINERY CO., LTD.

Note: This catalog may contain attachments and optional equipment that are not available in your area. And it may contain photographs of machines with specifications that differ from those of machines sold in your areas. Please consult your nearest KOBELCO distributor for those items you require. Specialist equipment is needed to use this machine in demolition work. Before using it please contact your KOBELCO dealer. Due to our policy of continuous product improvements all designs and specifications are subject to change without advance notice. Copyright by KOBELCO CONSTRUCTION MACHINERY CO., LTD. No part of this catalog may be reproduced in any manner without notice.

### KOBELCO CONSTRUCTION MACHINERY CO., LTD.

5-15, Kitashinagawa 5-chome, Shinagawa-ku, Tokyo 141-8626 JAPAN  
 Tel: +81 (0) 3-5789-2146 Fax: +81 (0) 3-5789-2135  
 www.kobelco-kenki.co.jp/english\_index.html

Inquiries To: