

CONSTRUCTION-CLASS EXCAVATORS

ZAXIS

# DASH-6

ZX250LC-6

ZX300LC-6



HITACHI

# **EXCAVATOR FOCUSED. NO DISTRACTIONS.**

## **EXCAVATOR EXPERTS.**

At Hitachi, we don't get sidetracked building every kind of construction equipment. Instead, we build excavators. It's that kind of focus, combined with our legacy of innovative technology, that results in highly efficient, reliable and durable machines – the ZX250LC-6 and ZX300LC-6 are no exceptions.

Hitachi Dash-6 Excavators are purpose-built with productivity-boosting advantages. Front and center is a new, fuel-efficient EPA Final Tier 4 (FT4)/EU Stage IV Isuzu engine that meets rigid emission standards – no diesel particulate filter needed. Generous swing torque, dig force and lift capacity. Spacious cabs designed for operator comfort and productivity. Standard upperstructure handrails for added safety and accessibility. Easy-to-operate controls for smooth and responsive hydraulics. Highly efficient cooling systems. And simplified daily and periodic maintenance thanks to features like single-side ground-level filters and a battery disconnect switch. By not building everything...

**WE COMPROMISE ON NOTHING.**





# SPECIALISTS

# TACKLE YOUR TOUGHEST JOBS.

## IT'S ALL ABOUT UPTIME.

Operators have come to expect smooth responsiveness and multifunction capability – and Dash-6 Excavators deliver. Our HIOS III hydraulic system perfectly balances engine performance with hydraulic flow. The hydraulic boost system and enhanced boom recirculation generate aggressive boom and arm speed — returning the arm to dig faster, so you can move more dirt in a day.

The ZX250LC-6 and the ZX300LC-6 combine power and finesse for maximum productivity on any job from site development to utility work. Choose from three work modes to fit the task. High Productivity (HP) delivers more power and faster hydraulic response. Power (P) delivers a balance of power and speed, plus fuel economy for normal operation. Economy (E) maximizes fuel efficiency while delivering an enhanced level of productivity.

Need even more? Choose from a wide variety of track widths, arm lengths, bucket sizes and teeth, high-flow auxiliary hydraulic packages and other options.

## RELIABLE PRODUCTIVITY.

■ The pressurized fuel system improves fuel injector operation, and the fuel recirculation system helps prevent fuel gelling in cold climates – so you can maintain maximum productivity.

■ It's not always about brute force. Unmatched metering and smooth multifunction operation provide plenty of finesse and precision, too.

■ When the digging gets tough, just press the power-boost button and muscle through.

■ Generous swing torque, digging force and lift capacity help keep you on schedule.





# PRODUCTIVITY



■ Whatever your grade system, Topcon, Trimble or Leica, Hitachi offers a grade reference ready package that reduces installation time by half.

■ Operators get maximum support from a sculpted mechanical-suspension high-back seat. Seat has 318 mm (12.5 in.) of travel, sliding together or independent of the joystick console. For even more comfort, opt for the air-suspension heated seat.

■ Optional cab and right-side boom lights provide extra illumination to extend your production.

■ Automatic, high-velocity bi-level climate-control system with automotive-style adjustable louvers helps keep the glass clear, the cab comfortable and the operator productive.

# MAXIMUM COMFORT FOR MAXIMUM PRODUCTIVITY.

## KEEP YOUR OPERATORS COMFORTABLY PRODUCTIVE.

Operators are set for success inside our spacious, well-appointed cabs. Silicone-filled cab mounts isolate the operator from noise and vibration. A refined, multifunction LCD monitor employs a rotary control that makes it quick and simple to tap into a wealth of performance and convenience functions and features. Operators will also appreciate the wide entryway, fully adjustable high-back sculpted seat, lots of storage and generous legroom. As always, unsurpassed visibility, ergonomically placed low-effort joysticks, a highly efficient HVAC system, plus other features allow your operators to be...

## COMFORTABLE, SAFE AND EFFICIENT.



■ Multi-language LCD monitor and rotary dial provide intuitive access to machine info and functions. Just turn and tap to select work modes, monitor maintenance intervals, check diagnostic codes and set cab temperature. Control oil flow and toggle between dig and thumb modes with a programmable thumb-attachment mode.



■ Ergonomically correct short-throw pilot levers provide smooth, precise control with less effort. Pushbuttons in the right lever allow control of auxiliary hydraulic flow for attachments. Optional sliding switch provides proportional speed control, giving you full command from your fingertips.



■ Get unobstructed all-around visibility thanks to a new hood design paired with a wide expanse of front, side, and overhead glass and mirrors.

## RELIABILITY STARTS WITH DURABILITY.

### ROCK-SOLID PERFORMANCE.

When you've got places to go and deadlines to meet, you want dependable equipment like the ZX250LC-6 and ZX300LC-6. Built to deliver unsurpassed uptime, they're armed with everything you need — and more. D-channel side frames house and protect the highly efficient coolers and FT4/Stage IV Isuzu diesel engines. Toughness is built into the heavy-duty undercarriage, digging structures, and hydraulic and electrical components. Welded bulkheads within the boom resist torsional stress, and tungsten-carbide thermal-coated arm surfaces and oil-impregnated bushings further increase durability. Booms, arms and mainframes are so tough, they're warranted for three years or 10,000 hours, whichever comes first. Add it all up and our Dash-6 Excavators are your...

### BEST LONG-TERM WORKHORSES.



■ Thick-plate single-sheet mainframe, box-section track frames and industry-exclusive double-seal swing bearing deliver rock-solid durability.





■ Our field-proven technology is simple and efficient, employing cooled exhaust gas recirculation (EGR), a diesel oxidation catalyst (DOC) and selective catalytic reduction (SCR). An improved piston design allows particulate matter to be burned in cylinder, so there's no need for a diesel particulate filter (DPF).

■ With large idlers, rollers and strutted track links, the sealed and lubricated undercarriage is built for the long haul.

■ A redesigned boom and arm and larger hydraulic pumps make the ZX300LC-6 even tougher.

■ Reinforced D-channel side frames provide maximum cab and component impact protection.

■ Tungsten-carbide coated wear surfaces protect the critical bucket-to-arm joint.

■ Oil-impregnated bushings enhance durability and extend lube intervals to 500 hours for the arm-and-boom joint and 100 hours for the bucket joint.

# EFFICIENT



■ Upperstructure handrails provide added safety when servicing the engine compartment, and a larger hood gives you better engine accessibility.

■ Auto-idle, which reduces engine speed when hydraulics aren't in use, and auto-shutdown contribute to fuel efficiency.

■ A battery disconnect switch, located in the rear door behind the cab, is easily accessible and extends battery life.

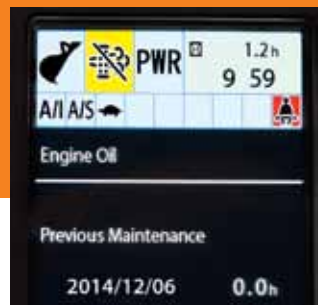
■ The FT4 engine solution does not require a diesel particulate filter (DPF), saving service time and lowering operating costs.

# MINIMIZE MAINTENANCE. MAXIMIZE UPTIME.

## DEFEAT DOWNTIME.

From the convenient handrails that provide easy engine access to the centralized lube banks — the ZX250LC-6 and ZX300LC-6 are loaded with time- and money-saving advantages. Grouped service points make quick work of the daily routine. Productivity is maximized with 500- and 5,000-hour engine and hydraulic oil-service intervals. And easy-to-check sight gauges and fluid reservoirs, quick-change remote-mounted filters, and convenient fluid-sample ports minimize downtime for periodic maintenance. Scheduled maintenance is easy to track using ZXLink™ and the in-cab diagnostic monitor. Pair these features with a dealer-customized Ultimate Uptime package, and you get...

## OPTIMIZED OPERATION.



■ Easy-to-navigate LCD monitor issues scheduled maintenance alerts and diagnostic information. Additionally, the hydraulic temperature gauge on the monitor screen helps prevent downtime.



■ Centralized lube banks place zerks within easy reach, making greasing less messy and time-consuming.



■ Engine oil, fuel and hydraulic pilot oil filters are all located on the same side at ground level for easy servicing.

# ZX250LC-6

<b>Engine</b>	<b>ZX250LC-6</b>		
Manufacturer and Model	Isuzu 4HKI		
Non-Road Emission Standard	EPA Final Tier 4 / EU Stage IV		
Net Rated Power (ISO 9249)	132 kW (177 hp) at 2,000 rpm		
Cylinders	6		
Displacement	5.2 L (317 cu. in.)		
Off-Level Capacity	70% (35 deg.)		
Aspiration	Turbocharged, air-to-air charge-air cooler		
<b>Cooling</b>	High efficiency direct-driven, suction-type fan		
<b>Powertrain</b>	2-speed propel with automatic shift		
<b>Maximum Travel Speed</b>			
Low	3.4 km/h (2.1 mph)		
High	5.5 km/h (3.4 mph)		
Drawbar Pull	21 924 kg (48,334 lb.)		
<b>Hydraulics</b>	Open center, load sensing		
<b>Main Pumps</b>	2 variable-displacement pumps		
Maximum Rated Flow	224 L/m (59.2 gpm) x 2		
<b>System Operating Pressure</b>			
Circuits			
Implement	34 300 kPa (4,975 psi)		
Travel	35 000 kPa (5,076 psi)		
Swing	32 400 kPa (4,699 psi)		
Power Boost	38 000 kPa (5,511 psi)		
<b>Controls</b>	Pilot levers, short-stroke, low-effort hydraulic pilot controls with shutoff lever		
<b>Cylinders</b>			
	<b>Bore</b>	<b>Rod Diameter</b>	<b>Stroke</b>
<b>Boom (2)</b>	125 mm (4.9 in.)	90 mm (3.5 in.)	1390 mm (54.7 in.)
<b>Arm (1)</b>	140 mm (5.5 in.)	100 mm (3.9 in.)	1610 mm (63.4 in.)
<b>Bucket (1)</b>	130 mm (5.1 in.)	90 mm (3.5 in.)	1075 mm (42.3 in.)
<b>Electrical</b>			
Number of Batteries (12 volt)	2		
Battery Capacity	1,000 CCA		
Alternator Rating	50 amp		
Work Lights	2 halogen (one mounted on boom, one on frame)		
<b>Undercarriage</b>			
<b>Rollers (each side)</b>			
Carrier	2		
Track	9		
Shoes, Triple Semi-Grousers (each side)	51		
<b>Track</b>			
Adjustment	Hydraulic		
Guides	2 per side		
Chain	Sealed and lubricated		
<b>Ground Pressure</b>			
Triple Semi-Grouser Shoes			
600-mm (24 in.)	48.8 kPa (7.07 psi)		
700-mm (28 in.)	42.3 kPa (6.14 psi)		
800-mm (32 in.)	37.6 kPa (5.45 psi)		
<b>Swing Mechanism</b>			
Speed	13.5 rpm		
Torque	71 000 Nm (52,367 lb.-ft.)		

# SPECS

## Serviceability ZX250LC-6

Refill Capacities	
Fuel Tank	510 L (135 gal.)
Diesel Exhaust Fluid (DEF) Tank	70 L (18 gal.)
Cooling System	34 L (9 gal.)
Engine Oil with Filter	26 L (7 gal.)
Hydraulic Tank	156 L (41 gal.)
Hydraulic System	290 L (77 gal.)
Swing Drive	9.1 L (9.6 qt.)
Gearbox	
Propel (each)	7.8 L (8.2 qt.)
Pump Drive	1.1 L (1.2 qt.)

## Operating Weights

With full fuel tank; 79-kg (175 lb.) operator; 1.0-m<sup>3</sup> (1.31 cu. yd.), 1067-mm (42 in.), 852-kg (1,878 lb.) bucket; 3.61-m (11 ft. 10 in.) arm; 5600-kg (12,346 lb.) counterweight; and 800-mm (32 in.) triple semi-grouser shoes

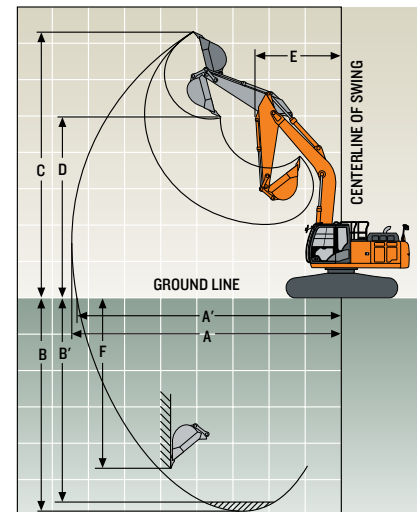
Operating Weight	25 260 kg (55,689 lb.)
------------------	------------------------

## Component Weights

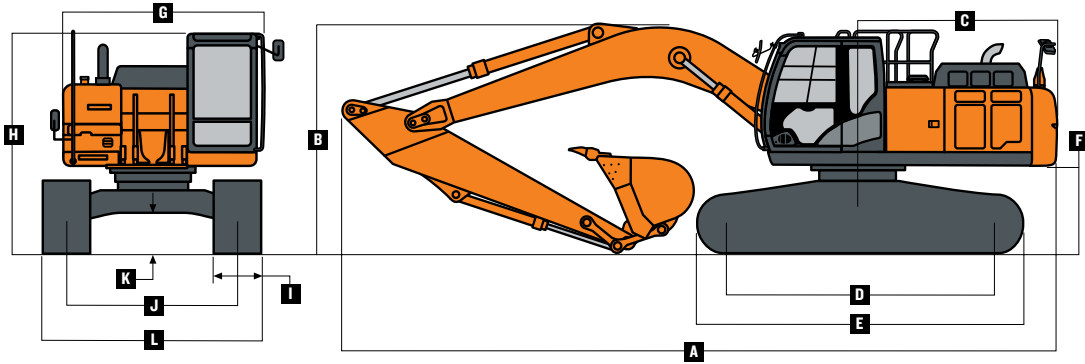
Undercarriage w/ Triple Semi-Grouser Shoes	
600 mm (24 in.)	8077 kg (17,807 lb.)
700 mm (28 in.)	8460 kg (18,651 lb.)
800 mm (32 in.)	8744 kg (19,277 lb.)
One-Piece Boom (with arm cylinder)	2232 kg (4,921 lb.)
Arm with Bucket Cylinder and Linkage	
2.50 m (8 ft. 2 in.)	1225 kg (2,701 lb.)
2.96 m (9 ft. 9 in.)	1304 kg (2,858 lb.)
3.61 m (11 ft. 10 in.)	1396 kg (3,078 lb.)
Boom Lift Cylinders (2) Total Weight	408 kg (899 lb.)

## Operating Dimensions

Arm Length	2.50 m (8 ft. 2 in.)	2.96 m (9 ft. 9 in.)	3.61 m (11 ft. 10 in.)
Arm Digging Force			
SAE	154 kN (34,621 lb.)	126 kN (29,023 lb.)	109 kN (25,224 lb.)
ISO	158 kN (35,520 lb.)	131 kN (29,450 lb.)	114 kN (25,628 lb.)
Bucket Digging Force			
SAE	164 kN (36,869 lb.)	164 kN (36,869 lb.)	164 kN (36,869 lb.)
ISO	189 kN (42,489 lb.)	189 kN (42,489 lb.)	189 kN (42,489 lb.)
<b>A</b> Maximum Reach	9.88 m (32 ft. 5 in.)	10.29 m (33 ft. 9 in.)	10.91 m (35 ft. 10 in.)
<b>A'</b> Maximum Reach at Ground Level	9.69 m (31 ft. 9 in.)	10.11 m (33 ft. 2 in.)	10.75 m (35 ft. 3 in.)
<b>B</b> Maximum Digging Depth	6.50 m (21 ft. 4 in.)	6.96 m (22 ft. 10 in.)	7.61 m (25 ft.)
<b>B'</b> Maximum Digging Depth at 2.44-m (8 ft.) Flat Bottom	6.26 m (20 ft. 6 in.)	6.75 m (22 ft. 2 in.)	7.44 m (24 ft. 5 in.)
<b>C</b> Maximum Cutting Height	9.95 m (32 ft. 8 in.)	10.16 m (33 ft. 4 in.)	10.56 m (34 ft. 8 in.)
<b>D</b> Maximum Dumping Height	6.99 m (22 ft. 11 in.)	7.20 m (23 ft. 7 in.)	7.58 m (24 ft. 10 in.)
<b>E</b> Minimum Swing Radius	3.48 m (11 ft. 5 in.)	3.44 m (11 ft. 3 in.)	3.43 m (11 ft. 3 in.)
<b>F</b> Maximum Vertical Wall	5.58 m (18 ft. 4 in.)	6.03 m (19 ft. 9 in.)	6.74 m (22 ft. 1 in.)



Machine Dimensions	ZX250LC-6	
<b>A</b> Overall Length w/ Arm	2.50 m (8 ft. 2 in.)	10.47 m (34 ft. 4 in.)
	2.96 m (9 ft. 9 in.)	10.35 m (33 ft. 11 in.)
	3.61 m (11 ft. 10 in.)	10.41 m (34 ft. 2 in.)
<b>B</b> Overall Height w/ Arm	2.50 m (8 ft. 2 in.)	3.37 m (11 ft. 1 in.)
	2.96 m (9 ft. 9 in.)	3.07 m (10 ft. 1 in.)
	3.61 m (11 ft. 10 in.)	3.14 m (10 ft. 4 in.)
<b>C</b> Rear-End Length/Swing Radius		3.14 m (10 ft. 4 in.)
<b>D</b> Distance Between Idler/Sprocket Centerline		3.84 m (12 ft. 7 in.)
<b>E</b> Undercarriage Length		4.64 m (15 ft. 3 in.)
<b>F</b> Counterweight Clearance		1.09 m (3 ft. 7 in.)
<b>G</b> Upperstructure Width		2.89 m (9 ft. 6 in.)
<b>H</b> Cab Height		3.02 m (9 ft. 11 in.)
<b>I</b> Track Width w/ Triple Semi-Grouser Shoes	600 mm (24 in.) / 700 mm (28 in.) / 800 mm (32 in.)	
<b>J</b> Gauge Width	2.59 m (8 ft. 6 in.)	
<b>K</b> Ground Clearance	0.46 m (18 in.)	
<b>L</b> Overall Width w/ Triple Semi-Grouser Shoes	600 mm (24 in.)	3.19 m (10 ft. 6 in.)
	700 mm (28 in.)	3.29 m (10 ft. 9 in.)
	800 mm (32 in.)	3.39 m (11 ft. 1 in.)



# SPECS

## Lift Charts

## ZX250LC-6

**Boldface type indicates hydraulically limited capacity; lightface type indicates stability-limited capacities, in kg (lb.).** Ratings at bucket lift hook; machine equipped with 851-kg (1,876 lb.) bucket; standard gauge; and situated on firm, uniform supporting surface. Total load includes weight of cables, hook, etc. Figures do not exceed 97 percent of hydraulic capacities or 75 percent of weight needed to tip machine. All lift capacities are based on ISO 10567.

Load Point Height	1.5 m (5 ft.)		3.0 m (10 ft.)		4.5 m (15 ft.)		6.0 m (20 ft.)		7.5 m (25 ft.)		9.0 m (30 ft.)	
Horizontal Distance from Centerline of Rotation	Over Front	Over Side	Over Front	Over Side	Over Front	Over Side	Over Front	Over Side	Over Front	Over Side	Over Front	Over Side
With 2.96-m (9 ft. 9 in.) arm, 851-kg (1,876 lb.) bucket and 600-mm (24 in.) shoes												
6.0 m (20 ft.)							<b>5040</b>	<b>5040</b>	<b>4190</b>	<b>4190</b>		
							(11,040)	(11,040)				
4.5 m (15 ft.)					<b>6990</b>	<b>6990</b>	<b>5830</b>	<b>5830</b>	<b>5280</b>	<b>4110</b>		
					(15,020)	(15,020)	(12,640)	(12,640)	(11,550)	(8,800)		
3.0 m (10 ft.)					<b>9370</b>	<b>9120</b>	<b>6930</b>	<b>5750</b>	<b>5810</b>	<b>3940</b>		
					(20,110)	(19,670)	(14,990)	(12,370)	(12,630)	(8,470)		
1.5 m (5 ft.)					<b>11 410</b>	<b>8450</b>	<b>8010</b>	<b>5420</b>	<b>6040</b>	<b>3780</b>		
					(24,580)	(18,210)	(17,320)	(11,660)	(12,970)	(8,110)		
Ground Line					<b>12 370</b>	<b>8130</b>	<b>8480</b>	<b>5190</b>	<b>5900</b>	<b>3650</b>		
					(26,750)	(17,480)	(18,210)	(11,180)	(12,680)	(7,850)		
-1.5 m (-5 ft.)			<b>8640</b>	<b>8640</b>	<b>12 380</b>	<b>8050</b>	<b>8370</b>	<b>5100</b>	<b>5850</b>	<b>3600</b>		
			(19,680)	(19,680)	(26,810)	(17,300)	(17,980)	(10,970)	(12,570)	(7,750)		
-3.0 m (-10 ft.)	<b>10 140</b>	<b>10 140</b>	<b>14 820</b>	<b>14 820</b>	<b>11 560</b>	<b>8140</b>	<b>8410</b>	<b>5140</b>				
	(22,820)	(22,820)	(33,800)	(33,800)	(25,000)	(17,490)	(18,080)	(11,060)				
-4.5 m (-15 ft.)			<b>13 500</b>	<b>13 500</b>	<b>9590</b>	<b>8390</b>						
			(28,980)	(28,980)	(20,500)	(18,060)						
With 2.96-m (9 ft. 9 in.) arm, 851-kg (1,876 lb.) bucket and 700-mm (28 in.) shoes												
6.0 m (20 ft.)							<b>5040</b>	<b>5040</b>	<b>4190</b>	<b>4190</b>		
							(11,040)	(11,040)				
4.5 m (15 ft.)					<b>6990</b>	<b>6990</b>	<b>5830</b>	<b>5830</b>	<b>5280</b>	<b>5280</b>		
					(15,020)	(15,020)	(12,640)	(12,640)	(11,550)	(11,550)		
3.0 m (10 ft.)					<b>9370</b>	<b>9370</b>	<b>6930</b>	<b>6930</b>	<b>5810</b>	<b>5810</b>		
					(20,110)	(20,110)	(14,990)	(14,990)	(12,630)	(12,630)		
1.5 m (5 ft.)					<b>11 410</b>	<b>11 410</b>	<b>8010</b>	<b>8010</b>	<b>6150</b>	<b>6150</b>		
					(24,580)	(24,580)	(17,320)	(17,320)	(13,210)	(13,210)		
Ground Line					<b>12 370</b>	<b>12 370</b>	<b>8620</b>	<b>8620</b>	<b>6010</b>	<b>6010</b>		
					(26,750)	(26,750)	(18,530)	(18,530)	(12,910)	(12,910)		
-1.5 m (-5 ft.)			<b>8640</b>	<b>8640</b>	<b>12 380</b>	<b>12 380</b>	<b>8520</b>	<b>8520</b>	<b>5950</b>	<b>5950</b>		
			(19,680)	(19,680)	(26,810)	(26,810)	(18,300)	(18,300)	(12,800)	(12,800)		
-3.0 m (-10 ft.)	<b>10 140</b>	<b>10 140</b>	<b>14 820</b>	<b>14 820</b>	<b>11 560</b>	<b>11 560</b>	<b>8460</b>	<b>8460</b>				
	(22,820)	(22,820)	(33,800)	(33,800)	(25,000)	(25,000)	(18,230)	(18,230)				
-4.5 m (-15 ft.)			<b>13 500</b>	<b>13 500</b>	<b>9590</b>	<b>9590</b>						
			(28,980)	(28,980)	(20,500)	(20,500)						
With 2.96-m (9 ft. 9 in.) arm, 851-kg (1,876 lb.) bucket and 800-mm (32 in.) shoes												
6.0 m (20 ft.)							<b>5040</b>	<b>5040</b>	<b>4190</b>	<b>4190</b>		
							(11,040)	(11,040)				
4.5 m (15 ft.)					<b>6990</b>	<b>6990</b>	<b>5830</b>	<b>5830</b>	<b>5280</b>	<b>4230</b>		
					(15,020)	(15,020)	(12,640)	(12,640)	(11,550)	(9,070)		
3.0 m (10 ft.)					<b>9370</b>	<b>9360</b>	<b>6930</b>	<b>5910</b>	<b>5810</b>	<b>4070</b>		
					(20,110)	(20,110)	(14,990)	(12,720)	(12,630)	(8,730)		
1.5 m (5 ft.)					<b>11 410</b>	<b>8690</b>	<b>8010</b>	<b>5580</b>	<b>6220</b>	<b>3900</b>		
					(24,580)	(18,720)	(17,320)	(12,010)	(13,360)	(8,370)		
Ground Line					<b>12 370</b>	<b>8370</b>	<b>8730</b>	<b>5360</b>	<b>6080</b>	<b>3770</b>		
					(26,750)	(17,990)	(18,740)	(11,520)	(13,070)	(8,110)		
-1.5 m (-5 ft.)			<b>8640</b>	<b>8640</b>	<b>12 380</b>	<b>8290</b>	<b>8620</b>	<b>5260</b>	<b>6,030</b>	<b>3720</b>		
			(19,680)	(19,680)	(26,810)	(17,810)	(18,510)	(11,320)	(12,960)	(8,010)		
-3.0 m (-10 ft.)	<b>10 140</b>	<b>10 140</b>	<b>14 820</b>	<b>14 820</b>	<b>11 560</b>	<b>8370</b>	<b>8460</b>	<b>5300</b>				
	(22,820)	(22,820)	(33,800)	(33,800)	(25,000)	(18,000)	(18,230)	(11,400)				
-4.5 m (-15 ft.)			<b>13 500</b>	<b>13 500</b>	<b>9590</b>	<b>8630</b>						
			(28,980)	(28,980)	(20,500)	(18,570)						

### Lift Charts (continued)

### ZX250LC-6

Boldface type indicates hydraulically limited capacity; lightface type indicates stability-limited capacities, in kg (lb.). Ratings at bucket lift hook; machine equipped with 851-kg (1,876 lb.) bucket; standard gauge; and situated on firm, uniform supporting surface. Total load includes weight of cables, hook, etc. Figures do not exceed 87 percent of hydraulic capacities or 75 percent of weight needed to tip machine. All lift capacities are based on ISO 10567.

Load Point Height	1.5 m (5 ft.)		3.0 m (10 ft.)		4.5 m (15 ft.)		6.0 m (20 ft.)		7.5 m (25 ft.)		9.0 m (30 ft.)	
Horizontal Distance from Centerline of Rotation	Over Front	Over Side	Over Front	Over Side	Over Front	Over Side	Over Front	Over Side	Over Front	Over Side	Over Front	Over Side
With 3.61-m (11 ft. 10 in.) arm, 851-kg (1,876 lb.) bucket and 600-mm (24 in.) shoes												
6.0 m (20 ft.)							<b>4290</b>	<b>4290</b>	<b>3990</b>	<b>3990</b>		
							(9,400)	(9,400)	(8,480)	(8,480)		
4.5 m (15 ft.)							<b>5120</b>	<b>5120</b>	<b>4740</b>	<b>4740</b>	4180	
							(11,100)	(11,100)	(10,300)	(10,300)	(8,960)	
3.0 m (10 ft.)					8210	8210	<b>6280</b>	5860	<b>5340</b>	3990	3710	2830
			(28,820)	(28,820)	(17,640)	(17,640)	(13,580)	(12,610)	(11,610)	(8,570)	(7,190)	(6,040)
1.5 m (5 ft.)					<b>10 530</b>	8640	<b>7480</b>	5490	<b>6000</b>	3800	<b>4350</b>	2730
					(22,680)	(18,600)	(16,180)	(11,810)	(13,020)	(8,150)	(8,490)	(5,850)
Ground Line			4660	4660	<b>11 950</b>	8170	<b>8400</b>	5210	5890	3640	<b>4260</b>	2660
			(10,740)	(10,740)	(25,830)	(17,570)	(18,180)	(11,200)	(12,660)	(7,810)	(7,770)	(5,700)
-1.5 m (-5 ft.)	4520	4520	7870	7870	12 390	7990	8330	5060	5790	3550		
	(10,150)	(10,150)	(17,910)	(17,910)	(26,820)	(17,160)	(17,890)	(10,870)	(12,450)	(7,620)		
-3.0 m (-10 ft.)	<b>8200</b>	<b>8200</b>	12 340	12 340	<b>11 980</b>	8000	8310	5040	5800	3550		
	(18,440)	(18,440)	(28,100)	(28,100)	(25,910)	(17,180)	(17,840)	(10,830)	(12,480)	(7,650)		
-4.5 m (-15 ft.)	12 810	12 810	15 370	15 370	<b>10 590</b>	8170	<b>7640</b>	5160				
	(28,980)	(28,980)	(33,080)	(33,080)	(22,760)	(17,580)	(16,280)	(11,120)				
-6.0 m (-20 ft.)					<b>7300</b>	<b>7300</b>						
With 3.61-m (11 ft. 10 in.) arm, 851-kg (1,876 lb.) bucket and 700-mm (28 in.) shoes												
6.0 m (20 ft.)							<b>4290</b>	<b>4290</b>	<b>3990</b>	<b>3990</b>		
							(9,400)	(9,400)	(8,480)	(8,480)		
4.5 m (15 ft.)							<b>5120</b>	<b>5120</b>	<b>4740</b>	<b>4740</b>	4250	
							(11,100)	(11,100)	(10,300)	(10,300)	(9,120)	
3.0 m (10 ft.)					8210	8210	<b>6280</b>	5960	<b>5340</b>	4070	3710	2890
			(28,820)	(28,820)	(17,640)	(17,640)	(13,580)	(12,820)	(11,610)	(8,730)	(7,190)	(6,170)
1.5 m (5 ft.)					<b>10 530</b>	8780	<b>7480</b>	5580	<b>6000</b>	3870	<b>4350</b>	2790
					(22,680)	(18,910)	(16,180)	(12,020)	(13,020)	(8,310)	(8,490)	(5,980)
Ground Line			4660	4660	<b>11 950</b>	8310	<b>8400</b>	5300	6000	3710	<b>4260</b>	2720
			(10,740)	(10,740)	(25,830)	(17,870)	(18,180)	(11,410)	(12,660)	(7,970)	(7,770)	(5,830)
-1.5 m (-5 ft.)	4520	4520	7870	7870	12 390	8130	8480	5150	5900	3620		
	(10,150)	(10,150)	(17,910)	(17,910)	(26,820)	(17,470)	(17,890)	(11,080)	(12,450)	(7,780)		
-3.0 m (-10 ft.)	<b>8200</b>	<b>8200</b>	12 340	12 340	<b>11 980</b>	8140	8450	5130	5900	3620		
	(18,440)	(18,440)	(28,100)	(28,100)	(25,910)	(17,490)	(17,840)	(11,040)	(12,480)	(7,810)		
-4.5 m (-15 ft.)	12 810	12 810	15 370	15 370	<b>10 590</b>	8320	<b>7640</b>	5250				
	(28,980)	(28,980)	(33,080)	(33,080)	(22,760)	(17,890)	(16,280)	(11,330)				
-6.0 m (-20 ft.)					<b>7300</b>	<b>7300</b>						
With 3.61-m (11 ft. 10 in.) arm, 851-kg (1,876 lb.) bucket and 800-mm (32 in.) shoes												
6.0 m (20 ft.)							<b>4290</b>	<b>4290</b>	<b>3990</b>	<b>3990</b>		
							(9,400)	(9,400)	(8,480)	(8,480)		
4.5 m (15 ft.)							<b>5120</b>	<b>5120</b>	<b>4740</b>	<b>4740</b>	4300	
							(11,100)	(11,100)	(10,300)	(10,300)	(9,230)	
3.0 m (10 ft.)					8210	8210	<b>6280</b>	6020	<b>5340</b>	4120	3710	2930
			(28,820)	(28,820)	(17,640)	(17,640)	(13,580)	(12,960)	(11,610)	(8,840)	(7,190)	(6,250)
1.5 m (5 ft.)					<b>10 530</b>	8780	<b>7480</b>	5650	<b>6000</b>	3920	<b>4350</b>	2830
					(22,680)	(18,910)	(16,180)	(12,150)	(13,020)	(8,420)	(8,490)	(6,060)
Ground Line			4660	4660	<b>11 950</b>	8410	<b>8400</b>	5370	6070	3760	<b>4260</b>	2760
			(10,740)	(10,740)	(25,830)	(18,080)	(18,180)	(11,540)	(13,050)	(8,070)	(7,770)	(5,910)
-1.5 m (-5 ft.)	4520	4520	7870	7870	12 390	8220	8580	5220	5970	3670		
	(10,150)	(10,150)	(17,910)	(17,910)	(26,820)	(17,670)	(18,420)	(11,220)	(12,840)	(7,880)		
-3.0 m (-10 ft.)	<b>8200</b>	<b>8200</b>	12 340	12 340	<b>11 980</b>	8240	8550	5200	5980	3670		
	(18,440)	(18,440)	(28,100)	(28,100)	(25,910)	(17,700)	(18,370)	(11,180)	(12,870)	(7,910)		
-4.5 m (-15 ft.)	12 810	12 810	15 370	15 370	<b>10 590</b>	8410	<b>7640</b>	5320				
	(28,980)	(28,980)	(33,080)	(33,080)	(22,760)	(18,090)	(16,280)	(11,470)				
-6.0 m (-20 ft.)					<b>7300</b>	<b>7300</b>						



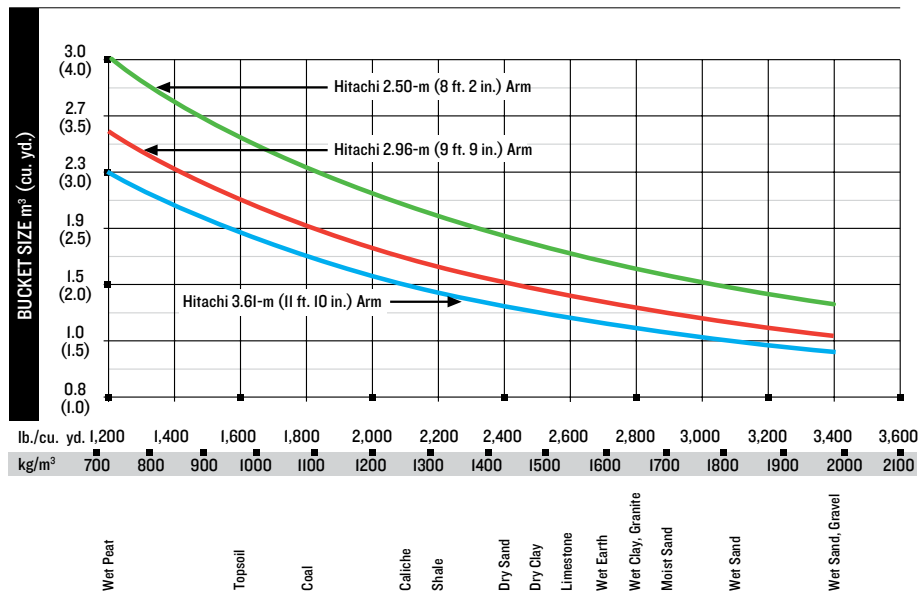
# SPECS

## Buckets ZX250LC-6

A full line of buckets is offered to meet a wide variety of applications. Digging forces are with power boost. Buckets are equipped with ESCO teeth standard. Replaceable cutting edges and a variety of teeth are available through dealer parts. Optional side cutters add 150 mm (6 in.) to bucket widths. Capacities are SAE heaped ratings.

Type Bucket	Bucket Width		Bucket Capacity		Bucket Weight		Bucket Dig Force		Arm Dig Force 2.50 m (8 ft. 2 in.)		Arm Dig Force 2.96 m (9 ft. 9 in.)		Arm Dig Force 3.61 m (11 ft. 10 in.)		Bucket Tip Radius		Number of Teeth
	mm	in.	m <sup>3</sup>	cu. yd.	kg	lb.	kN	lb.	kN	lb.	kN	lb.	kN	lb.	mm	in.	
Heavy Duty	914	36	0.74	1.0	907	2,000	193.7	43,542	158.9	35,724	132.8	29,861	115.1	25,871	1527	60.1	4
	1067	42	0.91	1.2	1035	2,281	193.7	43,542	158.9	35,724	132.8	29,861	115.1	25,871	1527	60.1	5
	1219	48	1.06	1.4	1071	2,361	194.1	43,636	159.0	35,753	132.9	29,883	115.2	25,888	1523	60.0	6
	1372	54	1.23	1.6	1204	2,654	194.0	43,607	159.0	35,744	132.9	29,877	115.1	25,883	1524	60.0	6
Heavy Duty High Capacity	914	36	0.99	1.3	1005	2,215	174.8	39,298	152.7	34,319	128.1	28,803	111.5	25,067	1691	66.6	4
	1067	42	1.22	1.6	1141	2,515	175.0	39,345	152.7	34,335	128.2	28,816	111.5	25,076	1689	66.5	5
	1219	48	1.44	1.9	1158	2,553	174.8	39,286	152.6	34,315	128.1	28,800	111.5	25,064	1692	66.6	6

### Bucket Selection Guide\*



\* Contact your Hitachi dealer for optimum bucket and attachment selections. These recommendations are for general conditions and average use. Does not include optional equipment such as thumbs or couplers. Larger buckets may be possible when using light materials, for flat and level operations, less compacted materials, and volume loading applications such as mass-excavation applications in ideal conditions. Smaller buckets are recommended for adverse conditions such as off-level applications, rocks, and uneven surfaces. Bucket capacity indicated is SAE heaped.

# ZX300LC-6

<b>Engine</b>	<b>ZX300LC-6</b>		
Manufacturer and Model	Isuzu 6HK1		
Non-Road Emission Standard	EPA Final Tier 4 / EU Stage IV		
Net Rated Power (ISO 9249)	186 kW (249 hp) at 1,900 rpm		
Cylinders	6		
Displacement	7.79 L (475 cu. in.)		
Off-Level Capacity	70% (35 deg.)		
Aspiration	Turbocharged, air-to-air charge-air cooler		
<b>Cooling</b>	High efficiency direct-driven, suction-type fan		
<b>Powertrain</b>	2-speed propel with automatic shift		
<b>Maximum Travel Speed</b>			
Low	3.1 km/h (1.9 mph)		
High	5.2 km/h (3.2 mph)		
Drawbar Pull	25 085 kg (55,303 lb.)		
<b>Hydraulics</b>	Open center, load sensing		
<b>Main Pumps</b>	2 variable-displacement pumps		
Maximum Rated Flow	236 L/m (62.3 gpm) x 2		
<b>System Operating Pressure</b>			
Circuits			
Implement	34 300 kPa (4,975 psi)		
Travel	35 000 kPa (5,076 psi)		
Swing	32 400 kPa (4,830 psi)		
Power Boost	38 000 kPa (5,511 psi)		
<b>Controls</b>	Pilot levers, short-stroke, low-effort hydraulic pilot controls with shutoff lever		
<b>Cylinders</b>			
	<b>Bore</b>	<b>Rod Diameter</b>	<b>Stroke</b>
<b>Boom (2)</b>	135 mm (5.3 in.)	95 mm (3.7 in.)	1422 mm (56.0 in.)
<b>Arm (1)</b>	150 mm (5.9 in.)	105 mm (4.1 in.)	1659 mm (65.3 in.)
<b>Bucket (1)</b>	135 mm (5.3 in.)	90 mm (3.5 in.)	1070 mm (42.1 in.)
<b>Electrical</b>			
Number of Batteries (12 volt)	2		
Battery Capacity	1,000 CCA		
Alternator Rating	50 amp		
Work Lights	2 halogen (one mounted on boom, one on frame)		
<b>Undercarriage</b>			
<b>Rollers (each side)</b>			
Carrier	2		
Track	8		
Shoes, Triple Semi-Grousers (each side)	48		
<b>Track</b>			
Adjustment	Hydraulic		
Guides	2 per side		
Chain	Sealed and lubricated		
<b>Ground Pressure</b>			
Triple Semi-Grouser Shoes			
700-mm (28 in.)	46.9 kPa (6.80 psi)		
800-mm (32 in.)	41.0 kPa (5.95 psi)		
<b>Swing Mechanism</b>			
Speed	10.3 rpm		
Torque	90 500 Nm (66,749 lb.-ft.)		

# SPECS

## Serviceability ZX300LC-6

### Refill Capacities

Fuel Tank	510 L (135 gal.)
Diesel Exhaust Fluid (DEF) Tank	70 L (18 gal.)
Cooling System	48 L (13 gal.)
Engine Oil with Filter	48 L (13 gal.)
Hydraulic Tank	156 L (41 gal.)
Hydraulic System	290 L (77 gal.)
Swing Drive	12 L (12.7 qt.)
Gearbox	
Propel (each)	9.2 L (9.7 qt.)
Pump Drive	1.1 L (1.2 qt.)

### Operating Weights

With full fuel tank; 79-kg (175 lb.) operator; 1.25-m<sup>3</sup> (1.63 cu. yd.), 1067-mm (42 in.), 957-kg (2,110 lb.) bucket; 3.76-m (12 ft. 4 in.) arm; 5600-kg (12,346 lb.) counterweight; and 800-mm (32 in.) triple semi-grouser shoes

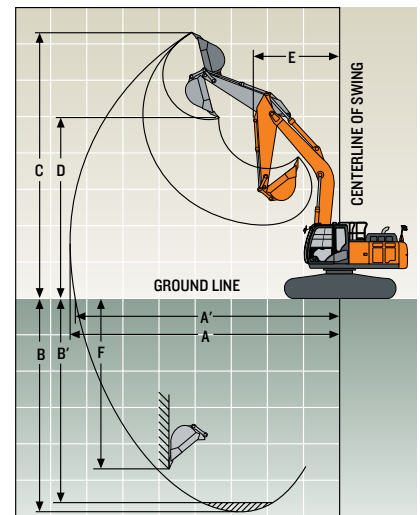
Operating Weight 29 200 kg (64,375 lb.)

### Component Weights

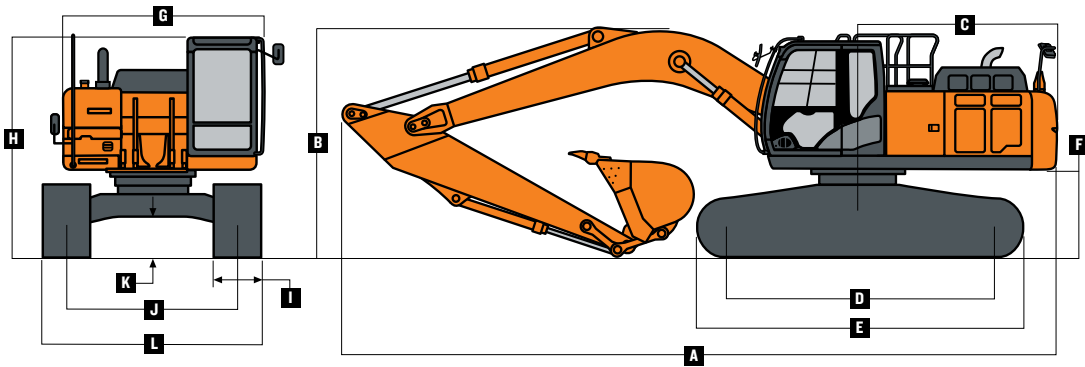
Undercarriage w/ Triple Semi-Grouser Shoes	
700 mm (28 in.)	11 478 kg (25,305 lb.)
800 mm (32 in.)	11 881 kg (26,193 lb.)
One-Piece Boom (with arm cylinder)	2232 kg (5,119 lb.)
Arm with Bucket Cylinder and Linkage	
3.11 m (10 ft. 2 in.)	1288 kg (2,840 lb.)
3.76 m (12 ft. 4 in.)	1377 kg (3,036 lb.)
Boom Lift Cylinders (2) Total Weight	490 kg (1,080 lb.)

### Operating Dimensions

<b>Arm Length</b>	<b>3.11 m (10 ft. 2 in.)</b>	<b>3.76 m (12 ft. 4 in.)</b>
<b>Arm Digging Force</b>		
SAE	138 kN (31,024 lb.)	121 kN (27,202 lb.)
ISO	144 kN (32,372 lb.)	127 kN (28,551 lb.)
<b>Bucket Digging Force</b>		
SAE	175 kN (39,342 lb.)	175 kN (39,342 lb.)
ISO	202 kN (45,411 lb.)	202 kN (45,411 lb.)
<b>A Maximum Reach</b>	10.71 m (35 ft. 2 in.)	11.27 m (37 ft. 0 in.)
<b>A' Maximum Reach at Ground Level</b>	10.52 m (34 ft. 6 in.)	11.09 m (36 ft. 5 in.)
<b>B Maximum Digging Depth</b>	7.22 m (23 ft. 8 in.)	7.87 m (25 ft. 10 in.)
<b>B' Maximum Digging Depth at 2.44-m (8 ft.) Flat Bottom</b>	7.04 m (23 ft. 1 in.)	7.71 m (25 ft. 4 in.)
<b>C Maximum Cutting Height</b>	10.27 m (33 ft. 8 in.)	10.47 m (34 ft. 4 in.)
<b>D Maximum Dumping Height</b>	7.33 m (24 ft. 1 in.)	7.54 m (24 ft. 9 in.)
<b>E Minimum Swing Radius</b>	3.90 m (12 ft. 10 in.)	3.89 m (12 ft. 9 in.)
<b>F Maximum Vertical Wall</b>	6.48 m (21 ft. 3 in.)	7.05 m (23 ft. 2 in.)



Machine Dimensions	ZX300LC-6	
<b>A</b> Overall Length w/ Arm	3.11 m (10 ft. 2 in.)	10.66 m (34 ft. 12 in.)
	3.76 m (12 ft. 4 in.)	10.71 m (35 ft. 2 in.)
<b>B</b> Overall Height w/ Arm	3.11 m (10 ft. 2 in.)	3.20 m (10 ft. 6 in.)
	3.76 m (12 ft. 4 in.)	3.38 m (11 ft. 1 in.)
<b>C</b> Tail Swing Radius		3.25 m (10 ft. 8 in.)
<b>D</b> Distance Between Idler/Sprocket Centerline		4.05 m (13 ft. 3 in.)
<b>E</b> Undercarriage Length		4.94 m (16 ft. 2 in.)
<b>F</b> Counterweight Clearance		1.17 m (3 ft. 10 in.)
<b>G</b> Upperstructure Width		2.99 m (9 ft. 10 in.)
<b>H</b> Cab Height		3.11 m (10 ft. 2 in.)
<b>I</b> Track Width w/ Triple Semi-Grouser Shoes		700 mm (28 in.) / 800 mm (32 in.)
<b>J</b> Gauge Width		1.99 m (6 ft. 6 in.)
<b>K</b> Ground Clearance		0.51 m (20 in.)
<b>L</b> Overall Width w/ Triple Semi-Grouser Shoes	700 mm (28 in.)	3.29 m (10 ft. 10 in.)
	800 mm (32 in.)	3.39 m (11 ft. 1 in.)



# SPECS

## Lift Charts (continued) ZX300LC-6

**Boldface** type indicates hydraulically limited capacity; **lightface** type indicates stability-limited capacities, in kg (lb.). Ratings at bucket lift hook; machine equipped with 957-kg (2,110 lb.) bucket; standard gauge; and situated on firm, uniform supporting surface. Total load includes weight of cables, hook, etc. Figures do not exceed 87 percent of hydraulic capacities or 75 percent of weight needed to tip machine. All lift capacities are based on ISO 10567.

Load Point Height	1.5 m (5 ft.)		3.0 m (10 ft.)		4.5 m (15 ft.)		6.0 m (20 ft.)		7.5 m (25 ft.)		9.0 m (30 ft.)	
Horizontal Distance from Centerline of Rotation	Over Front	Over Side	Over Front	Over Side	Over Front	Over Side	Over Front	Over Side	Over Front	Over Side	Over Front	Over Side
With 3.11-m (10 ft. 2 in.) arm, 957-kg (2,110 lb.) bucket and 700-mm (32 in.) shoes												
6.0 m (20 ft.)							6300	6300	6130	5290		
							(13,760)	(13,760)	(13,190)	(11,340)		
4.5 m (15 ft.)					9000	9000	7370	7370	6570	5150		
					(19,330)	(19,330)	(15,970)	(15,970)	(14,330)	(11,070)		
3.0 m (10 ft.)					11 980	11 200	8770	7120	7270	4950	4730	3590
					(25,720)	(24,150)	(18,960)	(15,350)	(15,800)	(10,650)		
1.5 m (5 ft.)					14 400	10 460	10 090	6750	7980	4750	5570	3500
					(31,030)	(22,520)	(21,810)	(14,530)	(17,150)	(10,220)		
Ground Line					15 450	10 110	10 950	6500	7810	4610		
					(33,420)	(21,740)	(23,560)	(13,980)	(16,800)	(9,910)		
-1.5 m (-5 ft.)	5990	5990	9420	9420	15 380	10 030	11 090	6390	7740	4540		
	(13,420)	(13,420)	(21,410)	(21,410)	(33,320)	(21,550)	23,820	(13,750)	(16,650)	(9,770)		
-3.0 m (-10 ft.)	11 070	11 070	15 650	15 650	14 370	10 120	10 620	6420	7800	4590		
	(24,860)	(24,860)	(35,600)	(35,600)	(31,100)	(21,740)	(22,910)	(13,810)				
-4.5 m (-15 ft.)			16 830	16 830	12 110	10 370	8730	6610				
			(36,190)	(36,190)	(25,970)	(22,320)	(18,420)	(14,280)				
With 3.11-m (10 ft. 2 in.) arm, 957-kg (2,110 lb.) bucket and 800-mm (32 in.) shoes												
6.0 m (20 ft.)							6300	6300	6130	5360		
							(13,760)	(13,760)	(13,190)	(11,480)		
4.5 m (15 ft.)					9000	9000	7370	7370	6570	5220		
					(19,330)	(19,330)	(15,970)	(15,970)	(14,330)	(11,210)		
3.0 m (10 ft.)					11 980	11 330	8770	7210	7270	5020	4730	3640
					(25,720)	(24,420)	(18,960)	(15,530)	(15,800)	(10,790)		
1.5 m (5 ft.)					14 400	10 590	10 090	6830	7990	4820	5570	3550
					(31,030)	(22,800)	(21,810)	(14,720)	(17,330)	(10,360)		
Ground Line					15 450	10 240	10 950	6580	7910	4670		
					(33,420)	(22,020)	(23,560)	(14,170)	(17,020)	(10,050)		
-1.5 m (-5 ft.)	5990	5990	9420	9420	15 380	10 160	11 170	6470	7840	4600		
	(13,420)	(13,420)	(21,410)	(21,410)	(33,320)	(21,830)	(24,120)	(13,930)	(16,860)	(9,910)		
-3.0 m (-10 ft.)	11 070	11 070	15 650	15 650	14 370	10 240	10 620	6500	7900	4660		
	(24,860)	(24,860)	(35,600)	(35,600)	(31,100)	(22,020)	(22,910)	(14,000)				
-4.5 m (-15 ft.)			16 830	16 830	12 110	10 500	8730	6700				
			(36,190)	(36,190)	(25,970)	(22,590)	(18,420)	(14,470)				
With 3.76-m (12 ft. 4 in.) arm, 957-kg (2,110 lb.) bucket and 700-mm (32 in.) shoes												
7.5 m (25 ft.)									4330	4330		
6.0 m (20 ft.)									5410	5400		
									(11,880)	(11,570)		
4.5 m (15 ft.)							6530	6530	5950	5230	4420	3720
							(14,150)	(14,150)	(12,970)	(11,240)	(8,520)	(7,950)
3.0 m (10 ft.)					10 590	10 590	8000	7260	6730	5010	5700	3620
					(22,740)	(22,740)	(17,300)	(15,630)	(14,630)	(10,770)	(11,530)	(7,740)
1.5 m (5 ft.)			31,310	31,310	13 380	10 800	9470	6830	7560	4780	6000	3500
					(28,820)	(23,250)	(20,480)	(14,710)	(16,390)	(10,280)	(12,890)	(7,500)
Ground Line			5670	5670	15 000	10 290	10 570	6520	7810	4600	5900	3400
			(13,000)	(13,000)	(32,430)	(22,130)	(22,870)	(14,020)	(16,790)	(9,880)	(12,670)	(7,300)
-1.5 m (-5 ft.)	5650	5650	9100	9100	15 440	10 090	11 050	6350	7690	4490	5050	3360
	(12,640)	(12,640)	(20,640)	(20,640)	(33,440)	(21,690)	(23,730)	(13,650)	(16,530)	(9,650)		
-3.0 m (-10 ft.)	9450	9450	13 660	13 660	14 900	10 100	10 890	6320	7680	4480		
	(21,200)	(21,200)	(31,010)	(31,010)	(32,250)	(21,710)	(23,530)	(13,590)	(16,520)	(9,640)		
-4.5 m (-15 ft.)	14 050	14 050	19 080	19 080	13 270	10 280	9720	6430				
	(31,670)	(31,670)	(41,110)	(41,110)	(28,560)	(22,110)	(20,810)	(13,860)				
-6.0 m (-20 ft.)			13 820	13 820	9700	9700						
					(20,230)	(20,230)						
With 3.76-m (12 ft. 4 in.) arm, 957-kg (2,110 lb.) bucket and 800-mm (32 in.) shoes												
7.5 m (25 ft.)									4330	4330		
6.0 m (20 ft.)									5410	5410		
									(11,880)	(11,880)		
4.5 m (15 ft.)							6530	6530	5950	5300	4420	3770
							(14,150)	(14,150)	(12,970)	(11,380)	(8,520)	(8,070)
3.0 m (10 ft.)					10 590	10 590	8000	7340	6730	5080	5700	3670
					(22,740)	(22,740)	(17,300)	(15,810)	(14,630)	(10,910)	(11,530)	(7,860)
1.5 m (5 ft.)			31,310	31,310	13 380	10 800	9470	6920	7560	4850	6000	3550
					(28,820)	(23,250)	(20,480)	(14,890)	(16,390)	(10,420)	(12,890)	(7,610)
Ground Line			5670	5670	15 000	10 290	10 570	6600	7910	4660	5900	3450
			(13,000)	(13,000)	(32,430)	(22,130)	(22,870)	(14,210)	(17,010)	(10,020)	(12,670)	(7,410)
-1.5 m (-5 ft.)	5650	5650	9100	9100	15 440	10 090	11 080	6430	7790	4550	5050	3410
	(12,640)	(12,640)	(20,640)	(20,640)	(33,440)	(21,690)	(23,980)	(13,840)	(16,750)	(9,790)		
-3.0 m (-10 ft.)	9450	9450	13 660	13 660	14 900	10 100	10 890	6400	7780	4540		
	(21,200)	(21,200)	(31,010)	(31,010)	(32,250)	(21,710)	(23,530)	(13,780)	(16,740)	(9,780)		
-4.5 m (-15 ft.)	14 050	14 050	19 080	19 080	13 270	10 280	9720	6510				
	(31,670)	(31,670)	(41,110)	(41,110)	(28,560)	(22,110)	(20,810)	(14,040)				
-6.0 m (-20 ft.)			13 820	13 820	9700	9700						
					(20,230)	(20,230)						

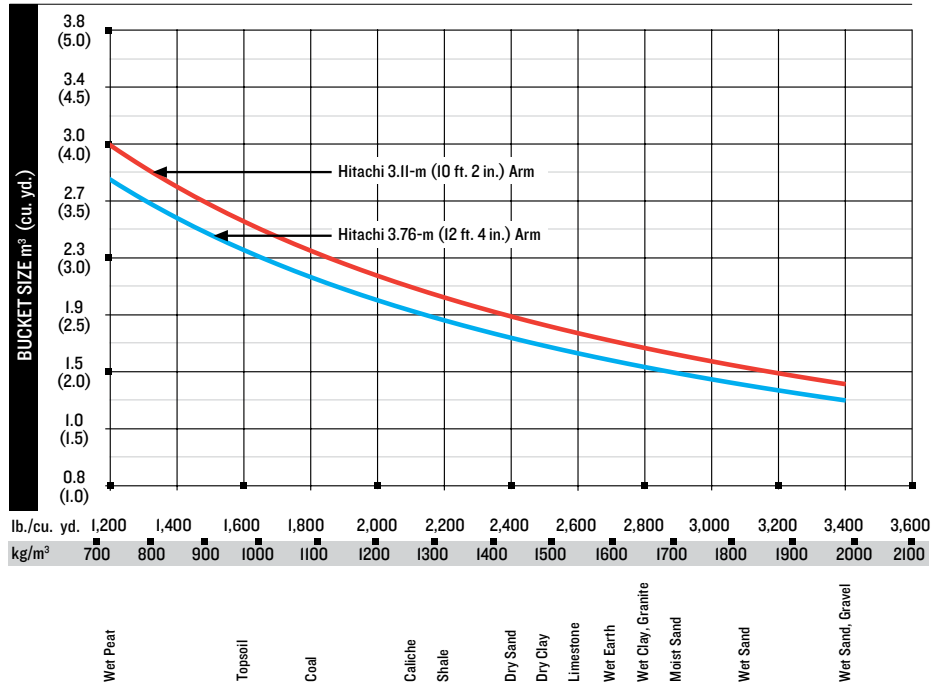
### Buckets

### ZX300LC-6

A full line of buckets is offered to meet a wide variety of applications. Digging forces are with power boost. Buckets are equipped with ESCO teeth standard. Replaceable cutting edges and a variety of teeth are available through dealer parts. Optional side cutters add 150 mm (6 in.) to bucket widths. Capacities are SAE heaped ratings.

Type Bucket	Bucket Width		Bucket Capacity		Bucket Weight		Bucket Dig Force		Arm Dig Force 3.11 m (10 ft. 2 in.)		Arm Dig Force 3.76 m (12 ft. 4 in.)		ISO Bucket Tip Radius		Number of Teeth
	mm	in.	m <sup>3</sup>	cu. yd.	kg	lb.	kN	lb.	kN	lb.	kN	lb.	mm	in.	
Heavy Duty	914	36	1.23	0.9	1010	2,226	189.7	42,653	144.1	32,397	125.1	28,126	1661	65.4	4
	1067	42	1.52	1.2	1147	2,530	189.7	42,653	144.1	32,397	125.1	28,126	1661	65.4	5
	1219	48	1.81	1.4	1213	2,675	189.7	42,653	144.1	32,397	125.1	28,126	1661	65.4	5
	1372	54	2.09	1.6	1328	2,928	189.7	42,653	144.1	32,397	125.1	28,126	1661	65.4	6

### Bucket Selection Guide\*



\*Contact your Hitachi dealer for optimum bucket and attachment selections. These recommendations are for general conditions and average use. Does not include optional equipment such as thumbs or couplers. Larger buckets may be possible when using light materials, for flat and level operations, less compacted materials, and volume loading applications such as mass-excavation applications in ideal conditions. Smaller buckets are recommended for adverse conditions such as off-level applications, rocks, and uneven surfaces. Bucket capacity indicated is SAE heaped.

# SPECS

## ADDITIONAL EQUIPMENT

Key: ● Standard ▲ Optional or special kit

250	300	Engine
●	●	Auto-idle system
●	●	Batteries (2 - 12 volt)
●	●	Coolant recovery tank
●	●	Dual-element dry-type air filter
●	●	Electronic engine control
●	●	Enclosed fan guard (conforms to SAE J1308)
●	●	Engine coolant to -37 deg. C (-34 deg. F)
●	●	Programmable auto shutdown
●	●	Fuel filter with water separator
●	●	Full-flow oil filter
●	●	Turbocharger with charge air cooler
●	●	High-efficiency, low-noise fan
●	●	Glow-plug start aid
●	●	500-hour engine-oil-change interval
●	●	70% (35 deg.) off-level capability
●	●	Severe-duty fuel filter
▲	▲	Chrome exhaust stack
▲	▲	Engine coolant heater
		Hydraulic System
●	●	Reduced-drift valve for boom down, arm in
●	●	Auxiliary hydraulic valve section
●	●	Spring-applied, hydraulically released automatic swing brake
●	●	Auxiliary hydraulic-flow adjustments through monitor
●	●	Auto power lift
●	●	5,000-hour hydraulic-oil-change interval
▲	▲	Auxiliary hydraulic lines
▲	▲	Auxiliary pilot and electric controls
▲	▲	Hydraulic filter restriction indicator kit
▲	▲	Load-lowering control / Anti-drift device
▲	▲	Single-pedal propel control
▲	▲	Control pattern change valve
		Undercarriage
●	●	Planetary drive with axial piston motors
●	●	Propel motor shields
●	●	Spring-applied, hydraulically released automatic propel brake
●	●	Track guides, front idler and center
●	●	2-speed propel with automatic shift
●	●	Upper carrier rollers (2)
●	●	Sealed and lubricated track chain
▲	▲	Triple semi-grouser shoes, 600 mm (24 in.)
▲	▲	Triple semi-grouser shoes, 700 mm (28 in.)
▲	▲	Triple semi-grouser shoes, 800 mm (32 in.)

250	300	Upperstructure
●	●	Right-hand, left-hand, and counterweight mirrors
●	●	Vandal locks with ignition key: Cab door / Service doors / Toolbox
●	●	Debris screen
●	●	Remote-mounted engine oil and fuel filters
		Front Attachments
●	●	Centralized lubrication system
●	●	Dirt seals on all bucket pins
●	●	Less boom and arm
●	●	Oil-impregnated bushings
●	●	Reinforced resin thrust plates
●	●	Tungsten carbide thermal coating on arm-to-bucket joint
▲	▲	Arm, 2.50 m (8 ft. 2 in.)
▲	▲	Arm, 2.96 m (9 ft. 9 in.)
▲	▲	Arm, 3.11 m (10 ft. 2 in.)
▲	▲	Arm, 3.61 m (11 ft. 10 in.)
▲	▲	Arm, 3.76 m (12 ft. 4 in.)
▲	▲	Attachment quick-couplers
▲	▲	Boom cylinder with plumbing to mainframe less boom and arm
▲	▲	Buckets: Heavy duty / Heavy-duty high capacity / Side cutters and teeth
▲	▲	"D" channel guard
▲	▲	Material clamps
▲	▲	Super-long fronts
		Operator's Station
●	●	Adjustable independent-control positions (levers-to-seat, seat-to-pedals)
●	●	AM/FM radio
●	●	Auto climate control/air conditioner/heater/pressurizer
●	●	Built-in Operator's Manual storage compartment and manual
●	●	Cell-phone power outlet, 12 volt, 60 watt, 5 amp
●	●	Coat hook
●	●	Deluxe suspension cloth seat with 100-mm (4 in.) adjustable armrests
●	●	Floor mat
●	●	Front windshield wiper with intermittent speeds
●	●	Gauges (illuminated): Diesel Exhaust Fluid (DEF) / Engine coolant / Fuel
●	●	Horn, electric
●	●	Hour meter, electric
●	●	Hydraulic shutoff lever, all controls
●	●	Hydraulic warm-up control
●	●	Interior light
●	●	Large cup holder
●	●	Machine Information Center (MIC)

250	300	Operator's Station (continued)
●	●	Mode selectors (illuminated): Power modes (3) / Travel modes (2 with automatic shift) / Work mode (1)
●	●	Multifunction, color LCD monitor with: Diagnostic capability / Multiple-language capabilities / Maintenance tracking / Clock / System monitoring with alarm features: Auto-idle indicator, engine air cleaner restriction indicator light, engine check, engine coolant temperature indicator light with audible alarm, engine oil pressure indicator light with audible alarm, low-alternator-charge indicator light, low-fuel indicator light, low DEF indication with audible alarm, fault code alert indicator, fuel-rate display, wipermode indicator, work-lights-on indicator, and work-mode indicator
●	●	Auxiliary hydraulic control switches in right console lever
●	●	Motion alarm with cancel switch (conforms to SAE J994)
●	●	Power-boost switch on right console lever
●	●	Propel pedals and levers
●	●	SAE 2-lever control pattern
●	●	Seat belt, 51 mm (2 in.), retractable
●	●	Tinted glass
●	●	Transparent tinted overhead hatch
●	●	Hot/cold beverage compartment
▲	▲	Air-suspension heated seat
▲	▲	Hydraulic oil filter restriction indicator light
▲	▲	Protection screens for cab front, rear, and side
▲	▲	Seat belt, 76 mm (3 in.), non-retractable
▲	▲	Window vandal-protection covers
		Electrical
●	●	50-amp alternator
●	●	Battery disconnect switch
●	●	Blade-type multi-fused circuits
●	●	Positive-terminal battery covers
●	●	ZXLink™ wireless communication system (available in specific countries; see your dealer for details)
▲	▲	Rearview camera
▲	▲	Cab extension wiring harness
		Lights
●	●	Work lights: Halogen / 1 mounted on boom / 1 mounted on frame
▲	▲	2 lights mounted on cab / 1 mounted on right side of boom

See your Hitachi dealer for further information.

Net engine power is with standard equipment including air cleaner, exhaust system, alternator, and cooling fan, at test conditions specified per ISO 9249. No derating is required up to 3050-m (10,000 ft.) altitude. Specifications and design subject to change without notice. Wherever applicable, specifications are in accordance with SAE standards. Except where otherwise noted, these specifications are based on units with 1370-mm (54 in.) buckets, full fuel tanks, and 79-k (175 lb.) operators; a ZX250LC-6 unit with 5600-kg (12,346 lb.) counterweight and 800-mm (32 in.) triple semi-grouser shoes; and a ZX300LC-6 unit with 5600-kg (12,346 lb.) counterweight and 800-mm (32 in.) heavy-duty triple semi-grouser shoes.

# HITACHI

[hitachiconstruction.com](http://hitachiconstruction.com)